

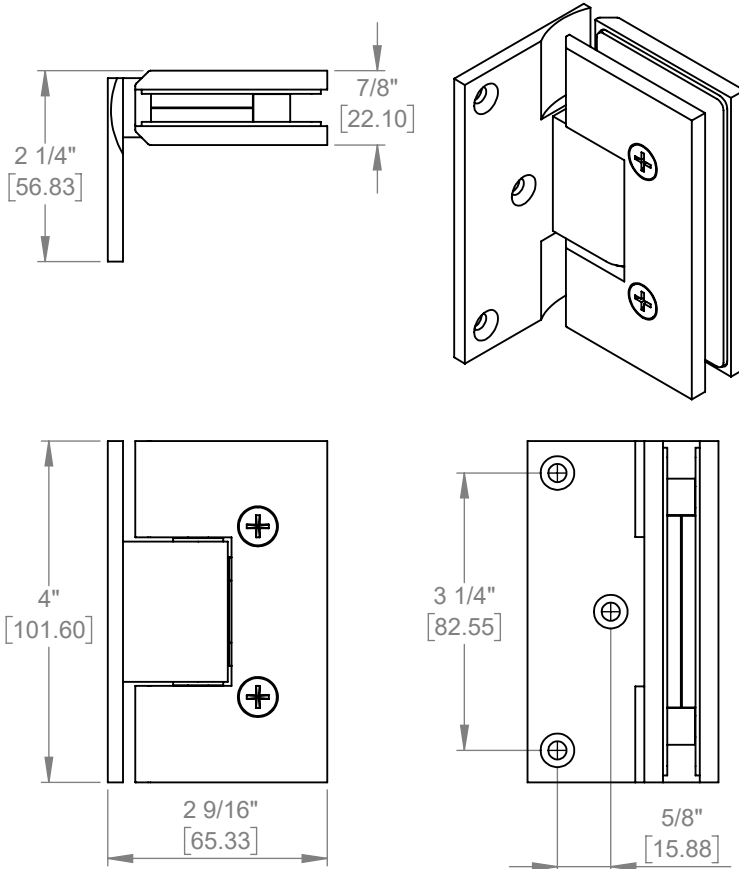
TAIGA

HEAVY DUTY 90° WALL/GLASS HINGE OFFSET BACK PLATE

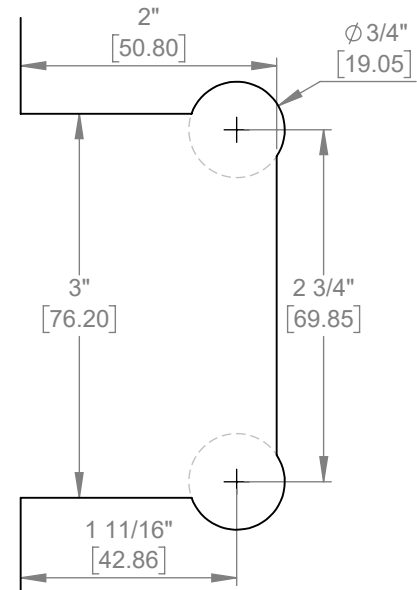
Product Code: TAG81176

portals
luxury hardware & accessories

| | 2 Hinges | 3 Hinges |
|-----------------|----------|----------|
| Max Door Width | 36" | 36" |
| Max Door Weight | 110 lbs | 150 lbs |

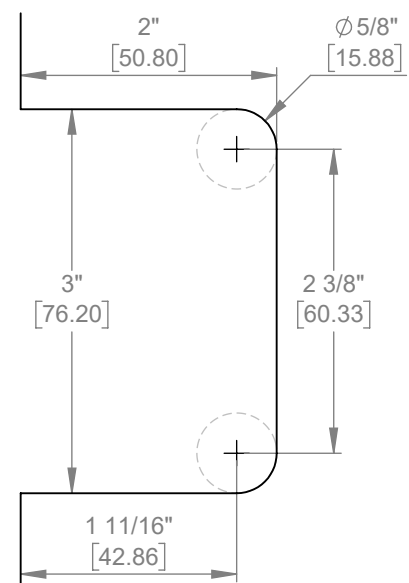


Option A: "Mouse ear" cutout



Cutouts provide 1/8-1/4" gap between wall and glass

Option B: Rectangular cutout



MATERIALS

Solid brass body, stainless steel fasteners and springs, and clear polyurethane gaskets.

FEATURES

- Removable steel pins within hinges allow choice between "mouse ear" and rectangular glass cutouts
- Integrated clear gaskets are compatible with 3/8" and 1/2" glass
- Reversible pivot pin can be set to close at 90° or offset the close position 5° inward (see portalshardware.com/technical for instructions)
- Self-closing from ~25°
- Scalloped recess in backplate minimizes wall-to-glass gap

CARE

Portals products should be cleaned with water and dried with a soft cloth. Use of harsh or abrasive chemicals may harm finish and will void the warranty.